

## Thermoregulator

1M - 1/2 doors

# CABINETS PREMIUM Dual temperature R290

PNC	En.Ch.	Model	Ref.	Page
110591	00/00	2x½-DOOR DUAL REFR 670L -2-2°C,DIGITAL -R290	e	2-6
727318	2121	FV Dual 1/2 doors -2°/-2°C R290 Dig A304 Elux Prof	a	2-6
727386	14/22	FV Dual 1/2 doors -2°/-2°C R290 Dig A304 Elux Prof UK	c	2-6
728691	14/21	FV Dual 1/2 doors -2°/-2°C R290 Dig A304 Apx	b	2-6
728737	11/19	FV Dual 1/2 doors -2°/-2°C R290 Dig A304 Elux Prof UK	d	2-6

**Note:** per la corretta identificazione dei componenti, attenersi esclusivamente alle pagine indicate e alla lettera di riferimento.

**Note:** for the correct identification of the components, follow the indicated pages and the reference letter

### Note:

From October 2012 the component on page 6 (pos.60) has been updated

From March 2013 the components on page 6 (pos.65-65a) have been updated

From November 2014 the components on pages 5-6 (pos.40-48) have been updated

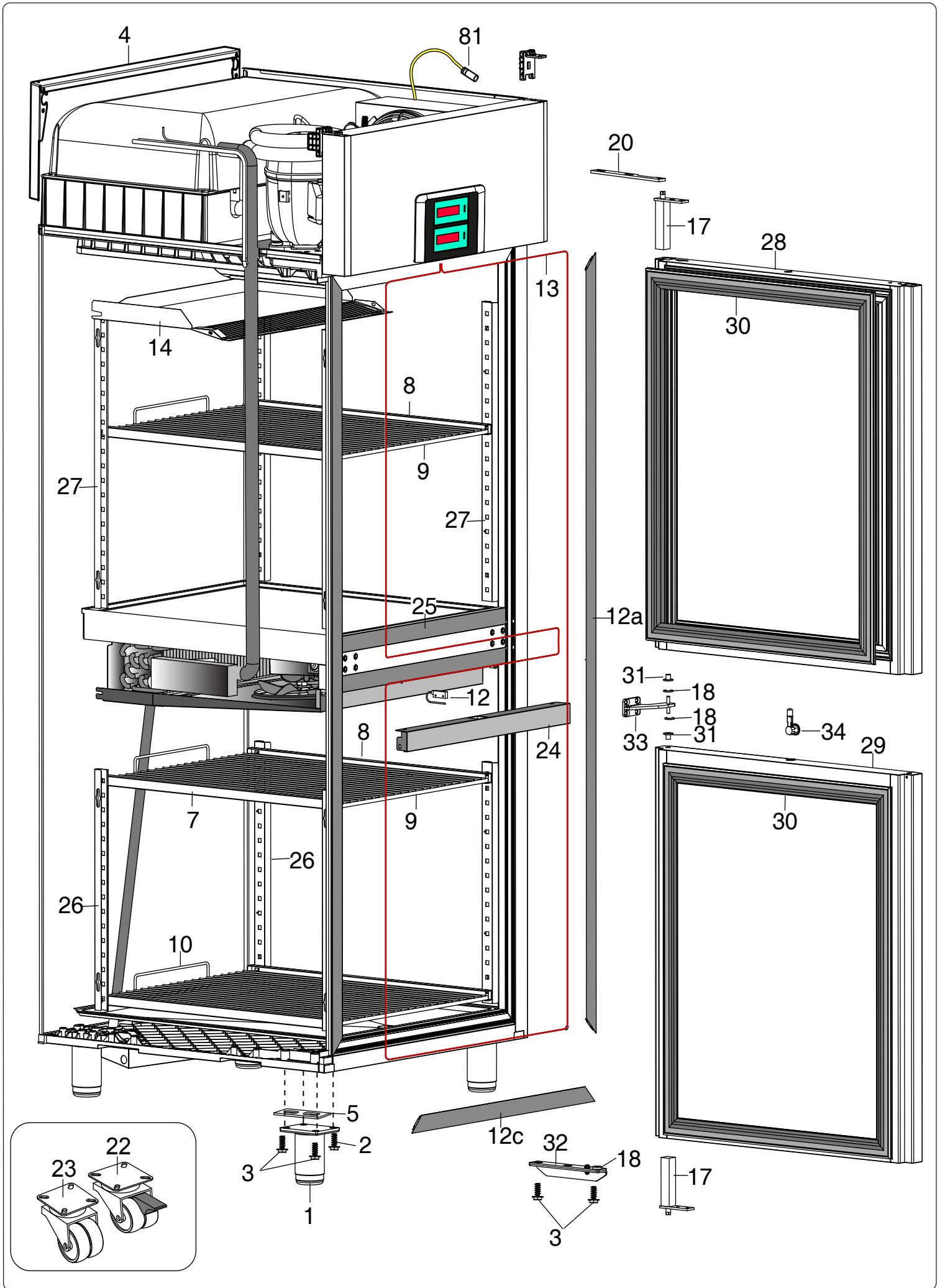
From December 2018 the PNC 110591 has been added and the list updated pag. 9 (pos. 104-113-115)

### Index

Pag.	2	Cabinet and door
	3,4	Cooling unit assembly
	5,6	Control panel
	7-10	Spare parts list

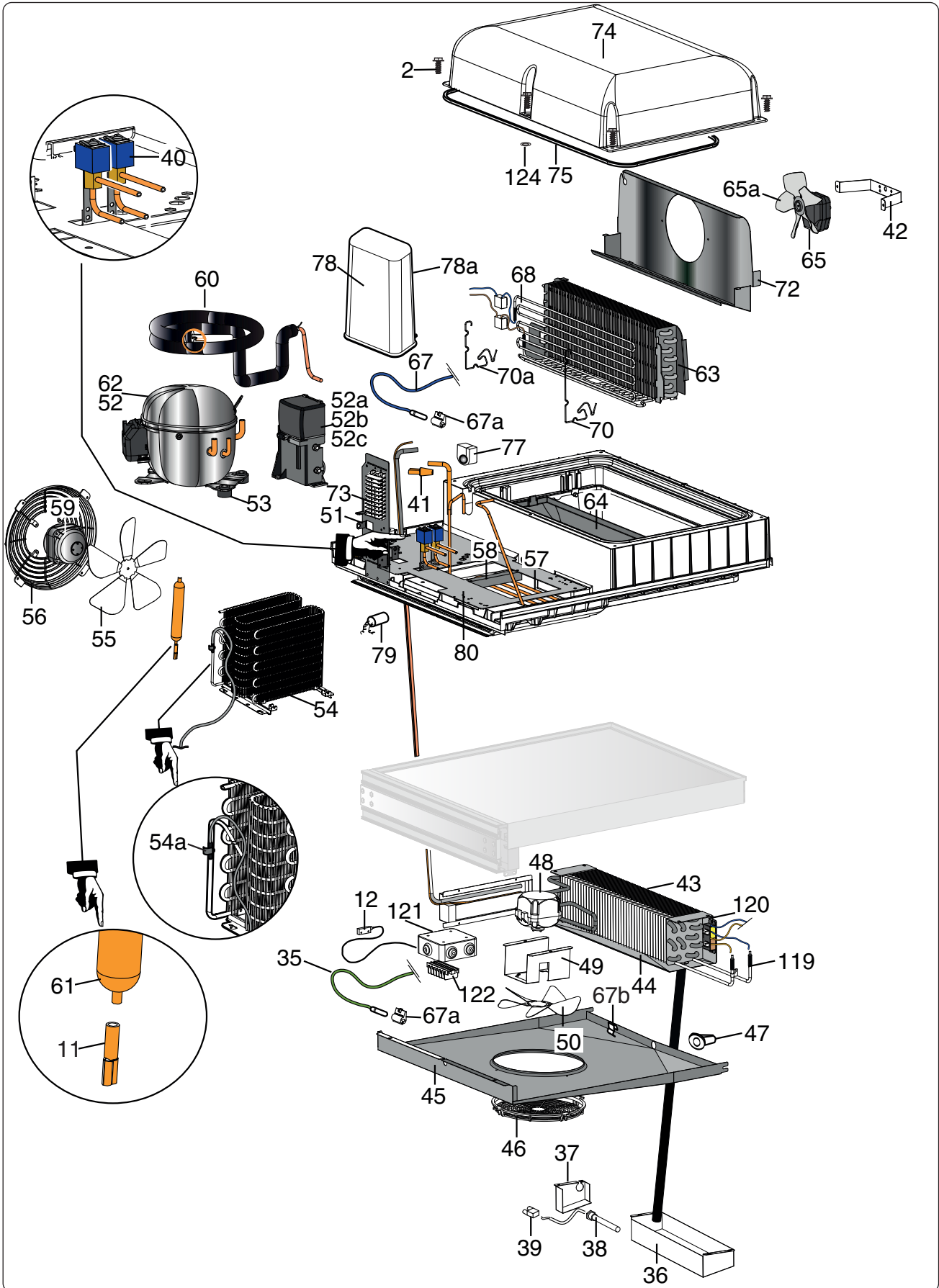
### Indice

Armadio e porta
Gruppo refrigerante
Pannello comandi
Lista ricambi



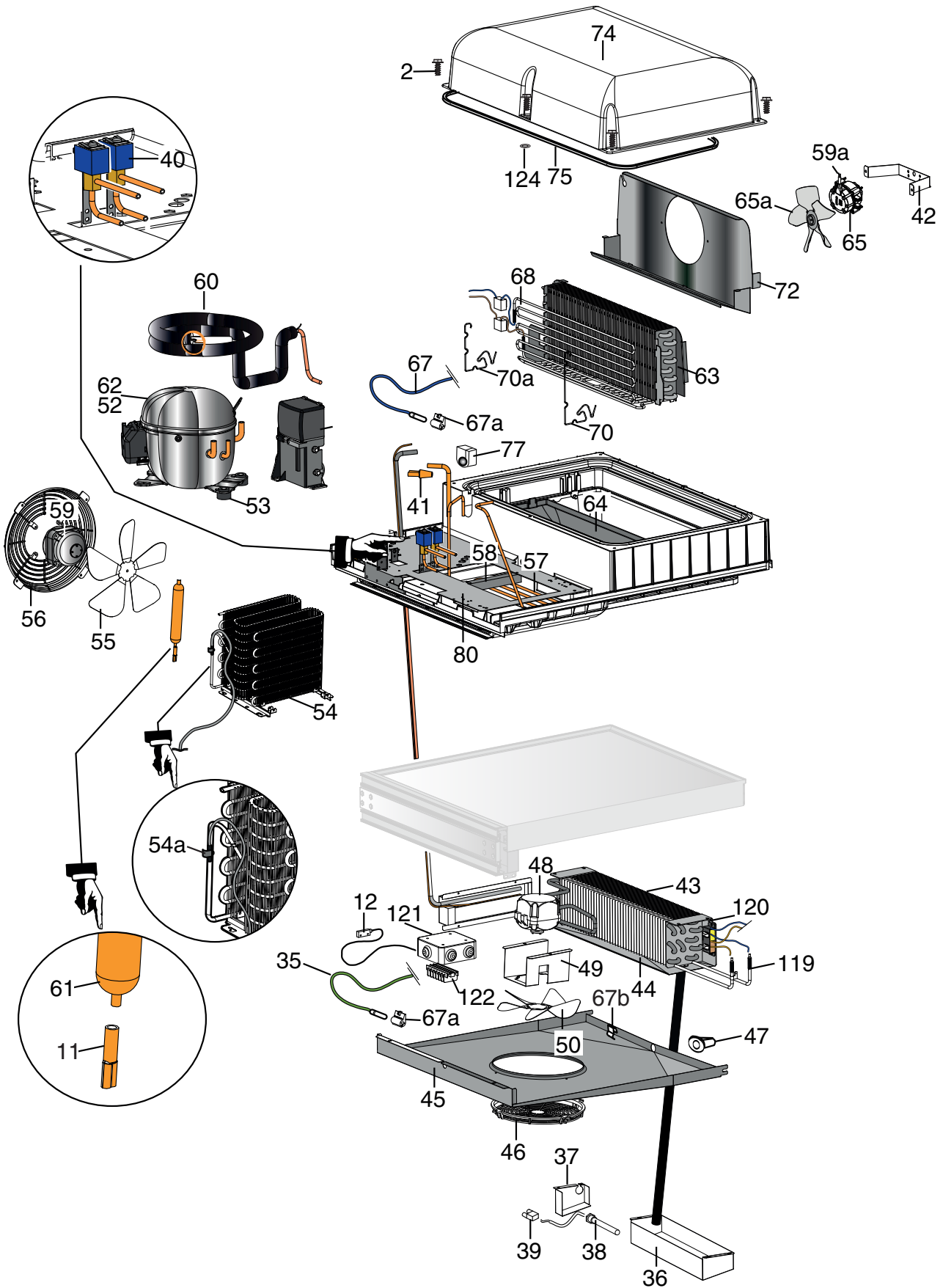
# COOLING UNIT ASSEMBLY

## up to 2021/37

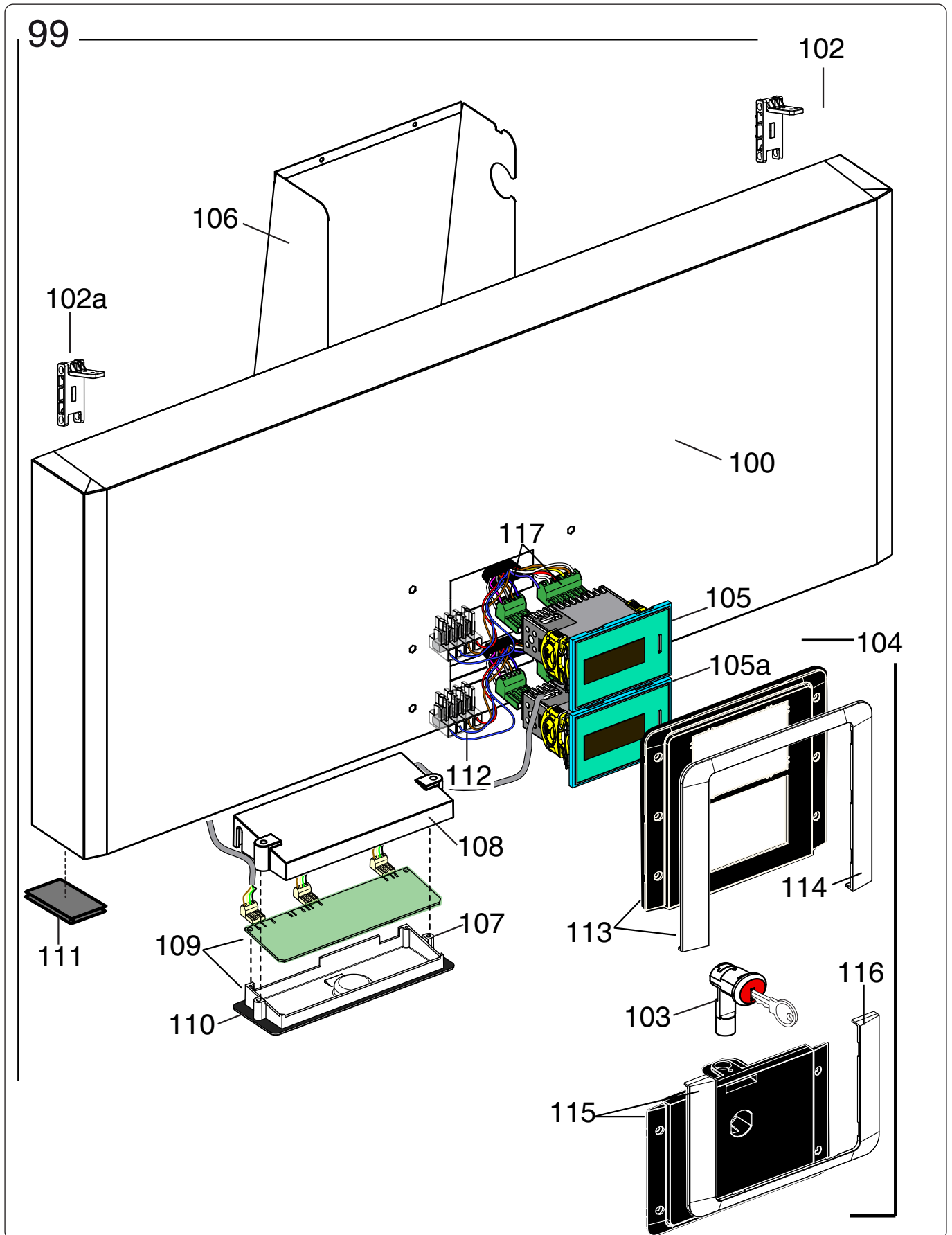


# COOLING UNIT ASSEMBLY

## from 2021/38

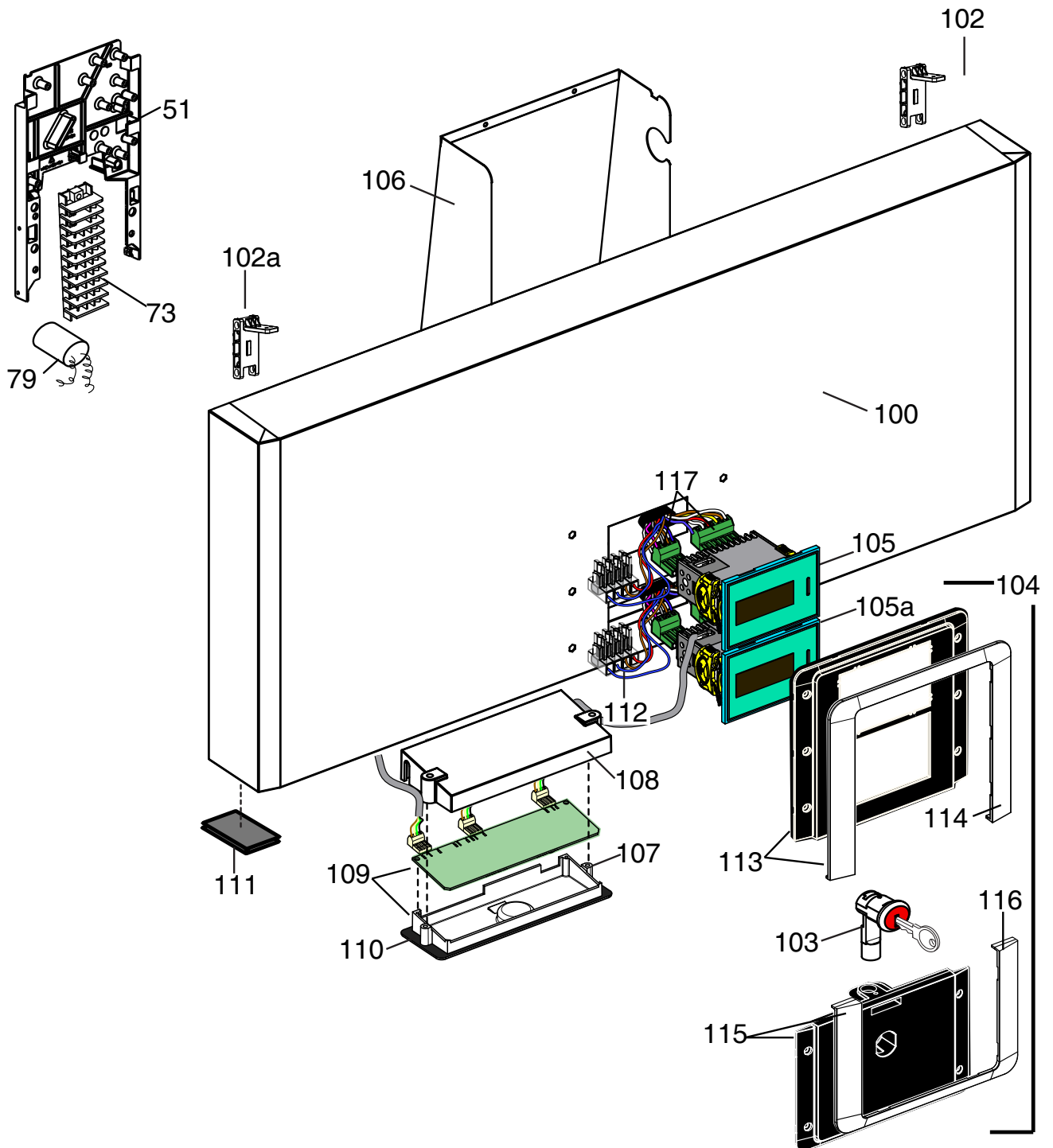


# CONTROL PANEL up to 2021/37



# CONTROL PANEL from 2021/38

99



PNC	Ref.	PNC	Ref.	PNC	Ref.	PNC	Ref.	PNC	Ref.	PNC	Ref.	PNC	Ref.
727318	a	728691	b	727386	c	728737	d	110591	e				

Pos	Spare parts code	Factory code	Descrizione	Description	Ref - Note
1	093243	541R05001	Piedino	Foot	
2	090144	514747100	Vite per plastica per piedino	Screw ( use by fix foot)	
3	093246	518708601	Vite M8x20 per fiss. staffa sup/inf	Screw M8X20 ( use by fix bracket)	
4	093247	502R17400	Staffa supporto fianchi	Side support	
5	093248	546R22800	Distanziale per piede	Foot spacer	
7	093358	501R48000	Guida Sx	Left support	
8	093359	501R48200	Guida Dx	Right support	
9	093252	514R10600	Griglia 2/1 rilsan	Grid 2/1rilsan	a,c,d,e
9	093360	514R10700	Griglia 2/1 aisi 304	Grid 2/1 aisi 304	b
10	093253	514R12200	Griglia di fondo rilsan	Bottom grid rilsan	a,c,d,e
10	093296	514R12100	Griglia di fondo aisi 304	Bottom grid aisi 304	b
11	097130	515R13802	Raccordo per capillare	Joint capillary	
12	092319	640R01402	Micro porta inferiore	Lower door swith	Up to 2021/37
12	<b>097290</b>	<b>640R04601</b>	<b>Micro porta inferiore</b>	<b>Lower door swith</b>	<b>From 2021/38</b>
12a	093254	832R09001	Cornice orrizzontale	Orrizzontal frame	
12c	093256	832R09300	Cornice verticale 1/2 porte	Vertical frame 1/2 doors	
13	<b>093362</b>	<b>617R07302</b>	<b>Cavo riscaldante cornice 11,34 W</b>	<b>Heating cable frame 11,34 W</b>	
14	*	<b>875R37401</b>	<b>Assieme carter interno</b>	<b>Internal protection assembly</b>	
17	082219	835704001	Cerniera porta	Hinge door	
18	093517	546R23100	Boccola per porta	Door bush	
20	082257	505723801	Staffa superiore porta	Upper stirrup door	
21	093271	541R05301	Tappo per cerniere	Hole hinge plug	
22	093575	835R24900	Ruota rotante con freno	Brake weel	
23	093574	835R24800	Ruota rotante	Weel	
24	093582	501R46702	Protezione evap. vano inferiore	Evaporator lower protection	
25	093272	832R10000	Cornice per traversa	Support half door frame	
26	093363	501R51700	Cremagliera ant./post 1/2 porte	Lower rack 1/2 doors a304	
27	093364	501R46100	Cremagliera ant./post 1/2 porte 304	Upper rack 1/2 doors a304	
28	093546	835R26310	Ass.1/2 porta superiore a304	Upper half door a304	
29	093519	835R25509	Ass.1/2 porta inferiore a304	Lower half door a304	
30	094153	548R08100	Guarnizione magnetica 1/2 porte	Half door gasket	
31	093393	546R21100	Boccola per cerniera 1/2 porte	Half door bush	
32	093301	833R21900	Ass. cerniera inferiore	Lower hinge assembly	
33	093344	505R12400	Cerniera centrale	Central hinge door	
34	093433	833R21100	Serratura	Serratura	
35	092183	646R07800	Sonda vano inferiore	Lower probe compartement	
36	093583	501R45802	Bacinella inferiore	Lower evaporator water basin	
37	*	501R58201	Protezione ptc	PTC protection	
38	093533	617R06601	Resistenza ptc 120W	PTC 120 W	
39	094750	639R12000	Connettore Maschio 3 vie	Male connector for ptc	
40	093435	646R10501	Elettrovalvola 220/23V 50 /60 hz	Solenoid valve 220/23V 50 /60 hz	Up to 4151...
40	094435	646R10502	Elettrovalvola 220/23V 50 /60 hz	Solenoid valve 220/23V 50 /60 hz	From 4161...
41	*	515R19500	Giunzione per condensatore	Dual way connection for condenser	
42	093326	501R45101	Staffa ventilatore Mes	Fan support mes	
43	*	830R06102	Evaporatore vano inferiore 4R 5T	Lower evaporator4R 5T	
44	093592	501R45902	Baccinella	Lower basin (evaporator)	

PNC	Ref.	PNC	Ref.	PNC	Ref.	PNC	Ref.	PNC	Ref.	PNC	Ref.	PNC	Ref.
727318	a	728691	b	727386	c	728737	d	110591	e				

Pos	Spare parts code	Factory code	Descrizione	Description	Ref - Note
45	093440	833R21303	Baccinella/carter raccolta condensa	Condenser water basin/carter evap.	
46	091602	546R06100	Griglia protezione ventola	Fan protection	
47	091652	544R02501	Tube di scarico	Discharge pipe	
48	093366	682R05900	Ventilatore EBM	EBM fan	Up to 2015/05
48	094477	682R08600	Ventilatore EBM	EBM fan	From 2015/06 Up to 2021/37
<b>48</b>	<b>096482</b>	<b>682R12700</b>	<b>Ventilatore EBM</b>	<b>EBM fan</b>	<b>From 2021/38 Up to 2022/18</b>
<b>48</b>	<b>096995</b>	<b>682R14200</b>	<b>Ventilatore ELCO</b>	<b>ELCO fan</b>	<b>From 2022/19</b>
49	096564	502R17002	Supporto ventilatore	Fan support	Up to 2021/37
<b>49</b>	<b>097270</b>	<b>504R23100</b>	<b>Supporto ventilatore</b>	<b>Fan support</b>	<b>From 2021/38</b>
50	093784	511R01300	Ventola 254X34	Fan 254X34	
<b>51</b>		<b>502R24300</b>	<b>Supporto impianto elettrico</b>	<b>Electrical wiring support</b>	<b>Up to 2021/37</b>
<b>51</b>	<b>097284</b>	<b>546R43401</b>	<b>Supporto impianto elettrico</b>	<b>Electrical wiring support</b>	<b>From 2021/38</b>
52	093426	684R05900	Compressore (EMT6152U) R290	Compressor (EMT6152U) R290	
52a	*	*	Relè avviamento	Start relay	
52b	*	*	Protettore	Protector	
52c	*	*	Condensatore di avviamento	Start capacitor	
53	087122	518708401	Fissaggio compressore	Rubber compressor	
54	093431	830R06600	Condensatore 5R D4,76 ( fili)	Condenser 5R D4,76 ( fili)	
54a	092360	646R09400	Sonda condensatore	Probe condenser	
55	089697	511708800	Ventola 230-31	Ventola 230-31	
56	089755	546709500	Protezione ventola	Fan protection	
57	093259	515R12700	Serpentina evap. acqua di conden.	Evaporation water pipe	
58	093260	543R09300	Fissaggio serpentina	Stopper pipe	
<b>59</b>	<b>096995</b>	<b>682R14200</b>	<b>Ventilatore condensatore VN 11 20</b>	<b>Condenser fan (VN 11 20)</b>	
<b>59a</b>	<b>097055</b>	<b>635R37900</b>	<b>Cablaggio ventilatore</b>	<b>Fan wiring</b>	
60	*	858R10500	Scambiatore sup	Heat exchanger (upper)	up to 230070.. (2012)
60	*	858R07301	Scambiatore sup	Heat exchanger (upper)	from to 231070.. (2012)
61	0A9410	805734802	Filtro 2 vie	Dehydrator filter	
62	0A8171	0A02021800	Valvola per compressore	Compressor valve (charge or disch.)	
63	093323	830R03901	Evaporatore 2R 8T	Evaporator 2R 8T	
64	093469	833R19201	Vaschetta evaporatore	Evaporator tray	
65	093417	682R06100	Ventilatore evaporatore (mes)	Evaporator fan (mes)	up to 2013/09
<b>65</b>	<b>093777</b>	<b>682R06601</b>	<b>Ventilatore evaporatore (EBM)</b>	<b>Evaporator fan (EBM)</b>	<b>from 2013/10 up to 2021/37</b>
<b>65</b>	<b>097000</b>	<b>682R02C00</b>	<b>Ventilatore evaporatore (FIME)</b>	<b>Evaporator fan (FIME)</b>	<b>from 2021/38</b>
65a	093418	511R05500	Ventola 150 mes	Fan 150 mes	up to 2013/09
67	092173	646R06700	Sonda cella	Cavity probe	
67a	091061	546R07500	Gabbietta per sonda	Probe protection	
67b	093547	514R12900	Fermo per cavo riscaldante	Stopper/spring for heating cable	
68	093327	617R06101	Resistenza con termostati	Heating element with thermostat	Up to 2021/37
<b>68</b>	<b>097286</b>	<b>617R25400</b>	<b>Resistenza con termostati</b>	<b>Heating element with thermostat</b>	<b>From 2021/38</b>
69	093487	514R11600	Molla per fissaggio termostati	Thermostat spring	
70	093368	514R10800	Molla per fissaggio resistenza 2R	Heating element spring 2R (big) 176mm	



PNC	Ref.	PNC	Ref.	PNC	Ref.	PNC	Ref.	PNC	Ref.	PNC	Ref.	PNC	Ref.
727318	a	728691	b	727386	c	728737	d	110591	e				

Pos	Spare parts code	Factory code	Descrizione	Description	Ref - Note
70a	093353	514R12000	Molla per fissaggio resistenza	Heating element spring (small) 84 mm	
72	093294	501R44001	Convogliatore evaporatore 1 fori	Evaporator conveyor one hole 154mm	
73	093599	639R10000	Morsettiera	Clamp	
74	093261	835R24100	Assieme Calotta	Evaporator cover	Up to 6181
74	095201	835R47601	Assieme Calotta	Evaporator cover	From 6191
*	095200	0881R32401	Modulo Calotta TN	Evaporator cover Module TN	
*	095202	0546R34400	Staffa per calotta schiumata	Support for foamed Evaporator	
75	093262	14701R003	Neoprene espa. 8x13,3 nero (M4)	Gasket cover ( neoprene 8x13,3)	
77	093263	546R19702	Tamponcino per tubi	Pipe cover insulation	
78	094425	546R26501	Copertura scatola impianto elettrico	Wiring box cover	Up to 2021/37
78a	093976	546R26701	Scatola impianto elettrico	Wiring box	Up to 2021/37
79	096636	694R00502	Filtro antisturbo	Electrical filter	
<b>80</b>	<b>094451</b>	<b>546R26800</b>	<b>Basamento gruppo</b>	<b>Basement</b>	
81	093371	646R10900	Sonda ambiente	Ambient probe	
<b>99</b>	*	<b>880R59005</b>	<b>Ass.Cruscotto senza masche. A304</b>	<b>ASS. Panel without template A304</b>	<b>Up to 2021/37</b>
<b>99</b>	*	<b>883R32002</b>	<b>Ass.Cruscotto senza masche. A304</b>	<b>ASS. Panel without template A304</b>	<b>From 2021/38</b>
100	093525	509R13404	Cruscotto	Panel 304 AISI	Up to 2021/37
<b>100</b>		<b>509R25001</b>	<b>Cruscotto</b>	<b>Panel 304 AISI</b>	<b>From 2021/38</b>
102	093609	832R10100	Cerniera per cruscotto dx	Hinge for panel	
102a	093610	832R10200	Cerniera per cruscotto sx	Hinge for panel	
103	093345	833R20900	Serratura	Latch	
104	094211	855R12001	Ass.masch. porta/cruscotto Elux Prof	Complete template door and panel	a,c
104	*	855R12100	Ass.masch. porta/cruscotto Zan	Complete template door and panel	e
104	*	855R12200	Ass.masch. porta/cruscotto APX	Complete template door and panel	b,d
105	093437	646R10602	Termoregolatore ir33 main	Thermoregulator premium main	To be set
105a	093439	646R11400	Termoregolatore ir33 slave	Thermoregulator premium slave	To be set
<b>106</b>	<b>093975</b>	<b>546R26600</b>	<b>Protezione</b>	<b>Protection led-lamp</b>	<b>Up to 2021/37</b>
<b>106</b>	<b>094389</b>	<b>501R37403</b>	<b>Protezione</b>	<b>Protection led-lamp</b>	<b>From 2021/38</b> <b>Up to 2021/43</b>
<b>106</b>	<b>097245</b>	<b>504R35000</b>	<b>Protezione</b>	<b>Protection led-lamp</b>	<b>From 2021/44</b>
107	093386	546R19501	Supporto scheda led	Support led-lamp	
108	093387	546R19600	Protezione scheda led	Protection led-lamp	
109	093810	855R12700	Ass. scheda led+supp. plastica	Led-lamp board GL + Support	
110	093390	569R05900	Guarnizione per scheda led	Ledlamp board gasket	
112	093391	639R10400	Morsetto	Clamp	
113	*	855R12300	Ass. mascherina cruscotto Elux Prof	Assembled template panel Elux Prof	a,c
113	*	855R12400	Ass. mascherina cruscotto Zan	Assembled template panel Zan	e
113	*	855R12500	Ass. mascherina cruscotto APX	Assembled template panel APX	b,d
114	*	546R20000	Cornice mascherina cruscotto Elux Prof	Template frame for panel Elux Prof	a,c
114	*	546R20100	Cornice masch. cruscotto Zan/Apx	Template frame for panel Zan/Apx	b,d,e
115	*	855R10500	Ass. mascherina porta Elux Prof	Assembled template door Elux Prof	a,c
115	*	855R10600	Ass. mascherina porta Zan	Assembled template door Zan	e
115	*	855R10700	Ass. mascherina porta APX	Assembled template door APX	b,d
116	*	546R20200	Cornice mascherina porta Elux Prof	Control door frame Elux Prof	a,c
116	*	546R20300	Cornice mascherina porta Zan/Apx	Control door frame Zan/Apx	b,d,e
*	093491	217541085	Vite per fissaggio mascherina M3x8	Screws M3X8 for control door/panel	
117	*	639R06800	Connettore dritto 3 vie	Connector 3 ways right	
117	*	639R06900	Connettore dritto 7 vie	Connector 7 ways right	

PNC	Ref.	PNC	Ref.	PNC	Ref.	PNC	Ref.	PNC	Ref.	PNC	Ref.	PNC	Ref.
727318	a	728691	b	727386	c	728737	d	110591	e				

Pos	Spare parts code	Factory code	Descrizione	Description	Ref - Note
117	099740	*	Connettore 90° 7 vie	Connector 7 ways 90°	
117	099741	*	Connettore 90° 5 vie	Connector 5 ways 90°	
117	088998	*	Connettore 90° 3 vie	Connector 3 ways 90°	
117	099743	*	Connettore 90° 3 vie piccolo	Connector 3 ways 90° small	
117	099742	*	Connettore 90° 2 vie	Connector 2 ways 90°	
117	091682	*	Connettore 90° 4 vie	Connector 4 ways 90°	
117	091684	*	Connettore 90° 5 vie	Connector 5 ways 90°	
*	093180	639R09600	Convertitore spina UK	UK plug converter	
119	093421	617R06502	Resistenza vano inferiore evap.	Heating element lower evaporator	
120	*	501R58101	Supporto termostati	Thermostat support	
121	093593	639R11600	Scatola Gewis	Scatola Gewis	
122	0A9312	639712400	Morsettiera	Clamp	
124	*	546R23900	Rondella	Washer	